

1U 24 PORTS SC DX/LC QD SLIDING PATCH PANEL – MP2PP02



Browse on Mobile

 [Browse on Web](#)

NEXCONEC[®] 1U Sliding Patch Panel accepts 24 adapters **SC Duplex/LC Quad** within 1U space (Up to 96FO in LC). The panel can be pre-loaded completely with the required adapter plates and pigtails.

The unique panel design incorporates a removable see-through lid & a transparent hinged drop-down door, providing a smooth slide mechanism facilitated by effortless lock-and-release plastic latches on two sides. This design enables it to fully extend when sliding out. Additionally, it ensures easy access & simplifies labelling, maintenance routines and installation activities.

FEATURES

- ✓ Up to 96FO in LC on 1U
- ✓ Standard 19" Rack mounting type
- ✓ High durability & light weight PC & PC+ABS material
- ✓ 4 Rear Cable entries
- ✓ Accepts Indoor and Outdoor Pre-terminated cables and conventional splicing
- ✓ Transparent lid for easier maintenance and verification
- ✓ Enhanced labelling on the front door providing patch cords protection and better identification
- ✓ Available in shuttered dust proof LC/SC adapters
- ✓ Simple and easy installation with integrated fiber routing
- ✓ RoHS, REACH SvHC

APPLICATIONS

- ✓ Data centers, Premises installations, Enterprise networks
- ✓ Ethernet, Fiber Channel, ATM, LAN, MAN and WAN
- ✓ Data communication and telecommunication networks
- ✓ Indoor applications

PANEL SPECIFICATIONS

Parameters	Value
Mounting Type	Rack 19"
Opening Type	Sliding Tray
Access Type	Front and Rear access
Front Cable Management	Front manager with Hinged transparent drop-down door
Cable Entry Direction	Rear
Rear Cable Management	4 Cable Entries (OD: 2x PG13.5 and 2x PG16 mm)
Slot Type	SC Duplex/ LC Quad Footprint
Number of Ports	24 Ports
Fiber Capacity	48FO in SC, 96FO in LC
Height Unit	1U
Dimensions (W x D x H in MM)	482 x 290.1 x 43.5 mm
Material	PC & PC+ABS
Housing Color	Black or [Grey (RAL 7035) Optional]
Compliance	RoHS, REACH SvHC
Application	Indoor IP20
Lockable	No
Net Weight	1.5 Kg


PIGTAIL SPECIFICATIONS (SINGLE FERRULE CONNECTOR)

Parameters	IL – Max	IL – Typical	RL (PC/APC)
SM – Standard	≤ 0.30 dB	≤ 0.20 dB	> 55/65 dB
SM – Premium	≤ 0.15 dB	≤ 0.12 dB	> 55/65 dB
MM – Standard	≤ 0.30 dB	≤ 0.18 dB	> 28 dB
MM – Premium	≤ 0.15 dB	≤ 0.08 dB	> 28 dB

PIGTAIL BUFFER CHARACTERISTICS

Parameters	Unit	Value (Simplex)
Nominal Buffer Diameter	μm	900 +50/-50
Crush Resistance	N/100mm	500
Maximum Tensile Load	N	6
Minimum Bending Radius	mm	15
Operating Temperature	°C	-20 ~ +60

ORDER INFORMATION

Product	Part Number	Product Description
	MP2PP02*	1U 24 Ports SC Duplex/LC Quad Sliding Patch Panel (Black)

* Add "G" at the end of Part Number for Telecom panels in Grey color. (Example: MP2PP02G)

Included kit in the package: 1x Gland PG13.5, 1x Cable Tie, 4x Cage Nuts & Screws, 4x Splice Holders.

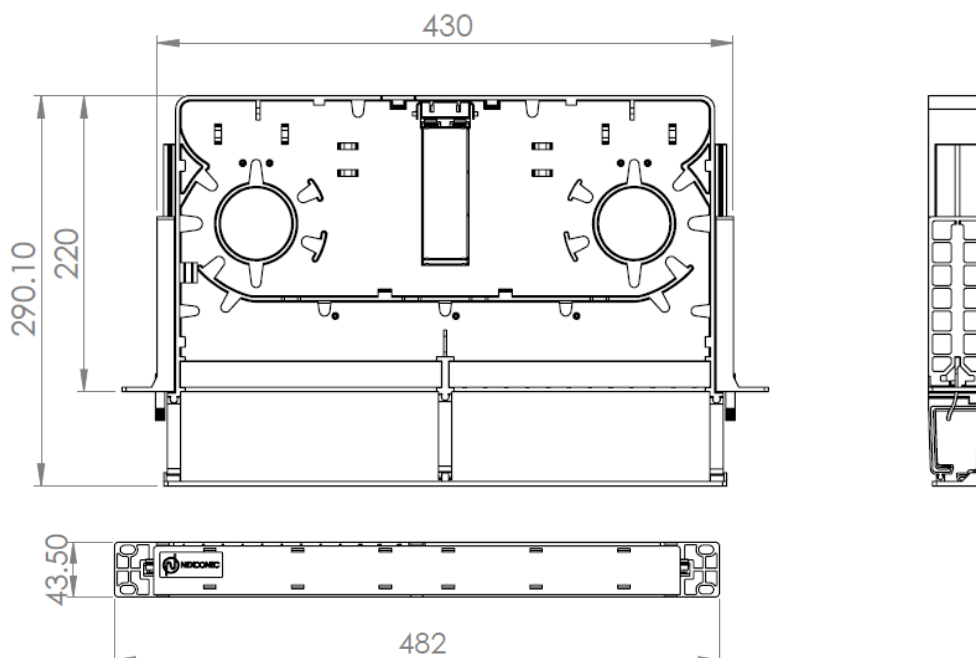
CUSTOM PANEL KIT CONFIGURATOR

MP2PP02	1	2	3	4
----------------	----------	----------	----------	----------

MP2PP02	1	Adapter Type	2	Adapter Count	3	Pigtails Type		4	Pigtails Loading Type	
	QL	LC Quad Blue	-	None	-	No Pigtails	-	Tight Buffer	-	FOTAG EIA/TIA 598 (1 Blue/ 2 Orange etc.)
	QN	LC Quad Green	6	6 Adapters	S1A1	SC/UPC SMF OS2	E	Easystrip	FT	France Telecom (1 Red, 2 Blue, etc.)
	QQ	LC Quad Aqua	12	12 Adapters	S2A1	SC/APC SMF OS2			PK	Included in pack, Uninstalled
	QV	LC Quad Erika	24	24 Adapters	L1A1	LC/UPC SMF OS2				
	DL	SC DX Blue			L2A1	LC/APC SMF OS2				
	DN	SC DX Green			S1O3	SC/UPC MMF OM3				
	DQ	SC DX Aqua			S1O4	SC/UPC MMF OM4				
	DV	SC DX Erika			L1O3	LC/UPC MMF OM3				
					L1O4	LC/UPC MMF OM4				

*Ask sales for other products and configuration not shown. sales@nexconec.com

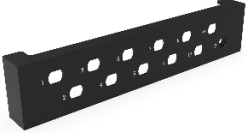

TECHNICAL DRAWING



RELATED PRODUCTS AND ACCESSORIES

Product	Part Number	Product Description
	MP2PL01*	MP2 Adapter Plate 12 LC DX Blue (Loaded)
	MP2PL02	MP2 Adapter Plate 12 LC DX Green (Loaded)
	MP2PL03	MP2 Adapter Plate 12 LC DX Aqua (Loaded)
	MP2PL03V	MP2 Adapter Plate 12 LC DX Erika Violet (Loaded)
	MP2PL04	MP2 Adapter Plate 12 SC SX Blue (Loaded)
	MP2PL05	MP2 Adapter Plate 12 SC SX Green (Loaded)
	MP2PL06	MP2 Adapter Plate 12 SC SX Aqua (Loaded)
	MP2PL06V	MP2 Adapter Plate 12 SC SX Erika Violet (Loaded)
	MP2PL07	MP2 Adapter Plate 12 SC DX Blue (Loaded)

	MP2PL08	MP2 Adapter Plate 12 SC DX Green (Loaded)
	MP2PL09	MP2 Adapter Plate 12 SC DX Aqua (Loaded)
	MP2PL09V	MP2 Adapter Plate 12 SC DX Erika Violet (Loaded)
	MP2PL10	MP2 Adapter Plate 12 LC QD Blue (Loaded)
	MP2PL11	MP2 Adapter Plate 12 LC QD Green (Loaded)
	MP2PL12	MP2 Adapter Plate 12 LC QD Aqua (Loaded)
	MP2PL12V	MP2 Adapter Plate 12 LC QD Erika Violet (Loaded)
	MP2PL13	MP2 Adapter Plate 12 FC SX (Loaded)
	MP2PL14	MP2 Adapter Plate 12 ST SX (Loaded)
	MP2PLS	MP2 Adapter Plate 12 SC SX/LC DX (Unloaded)
	MP2PLD	MP2 Adapter Plate 12 SC DX/LC QD (Unloaded)

	<p>MP2PLF</p>	<p>MP2 Adapter Plate 12 FC/ST SX (Unloaded)</p>
	<p>MP2PL00</p>	<p>MP2 Blank Plate</p>

* Add "G" at the end of Part Number for Telecom adapter plates in Grey color. (Example: MP2PL01G)

