

1U 24 PORTS SC SX/LC DX SLIDING PATCH PANEL – MP2PP01



Browse on Mobile

 [Browse on Web](#)

NEXCONEC[®] 1U Sliding Patch Panel accepts 24 adapters **SC Simplex/LC Duplex** within 1U space (Up to 48FO in LC). The panel can be pre-loaded completely with the required adapter plates and pigtails.

The unique panel design incorporates a removable see-through lid & a transparent hinged drop-down door, providing a smooth slide mechanism facilitated by effortless lock-and-release plastic latches on two sides. This design enables it to fully extend when sliding out. Additionally, it ensures easy access & simplifies labelling, maintenance routines and installation activities.

FEATURES

- ✓ Up to 48FO in LC on 1U
- ✓ Standard 19" Rack mounting type
- ✓ High durability & light weight PC & PC+ABS material
- ✓ 4 Rear Cable entries
- ✓ Accepts Indoor and Outdoor Pre-terminated cables and conventional splicing
- ✓ Transparent lid for easier maintenance and verification
- ✓ Enhanced labelling on the front door providing patch cords protection and better identification
- ✓ Available in shuttered dust proof LC/SC adapters
- ✓ Simple and easy installation with integrated fiber routing
- ✓ RoHS, REACH SvHC

APPLICATIONS

- ✓ Data centers, Premises installations, Enterprise networks
- ✓ Ethernet, Fiber Channel, ATM, LAN, MAN and WAN
- ✓ Data communication and telecommunication networks
- ✓ Indoor applications

PANEL SPECIFICATIONS

| Parameters | Value |
|-------------------------------------|--|
| Mounting Type | Rack 19" |
| Opening Type | Sliding Tray |
| Access Type | Front and Rear access |
| Front Cable Management | Front manager with Hinged transparent drop-down door |
| Cable Entry Direction | Rear |
| Rear Cable Management | 4 Cable Entries (OD: 2x PG13.5 and 2x PG16 mm) |
| Slot Type | SC Simplex/ LC Duplex Footprint |
| Number of Ports | 24 Ports |
| Fiber Capacity | 24FO in SC, 48FO in LC |
| Height Unit | 1U |
| Dimensions (W x D x H in MM) | 482 x 290.1 x 43.5 mm |
| Material | PC & PC+ABS |
| Housing Color | Black or [Grey (RAL 7035) Optional] |
| Compliance | RoHS, REACH SvHC |
| Application | Indoor IP20 |
| Lockable | No |
| Net Weight | 1.5 Kg |


PIGTAIL SPECIFICATIONS (SINGLE FERRULE CONNECTOR)

| Parameters | IL – Max | IL – Typical | RL (PC/APC) |
|---------------|-----------|--------------|-------------|
| SM – Standard | ≤ 0.30 dB | ≤ 0.20 dB | > 55/65 dB |
| SM – Premium | ≤ 0.15 dB | ≤ 0.12 dB | > 55/65 dB |
| MM – Standard | ≤ 0.30 dB | ≤ 0.18 dB | > 28 dB |
| MM – Premium | ≤ 0.15 dB | ≤ 0.08 dB | > 28 dB |

PIGTAIL BUFFER CHARACTERISTICS

| Parameters | Unit | Value (Simplex) |
|-------------------------|---------|-----------------|
| Nominal Buffer Diameter | μm | 900 +50/-50 |
| Crush Resistance | N/100mm | 500 |
| Maximum Tensile Load | N | 6 |
| Minimum Bending Radius | mm | 15 |
| Operating Temperature | °C | -20 ~ +60 |

ORDER INFORMATION

| Product | Part Number | Product Description |
|---|-----------------|--|
|  | MP2PP01* | 1U 24 Ports SC Simplex/LC Duplex Sliding Patch Panel (Black) |

* Add "G" at the end of Part Number for Telecom panels in Grey color. (Example: MP2PP01G)

Included kit in the package: 1x Gland PG13.5, 1x Cable Tie, 4x Cage Nuts & Screws, 4x Splice Holders.

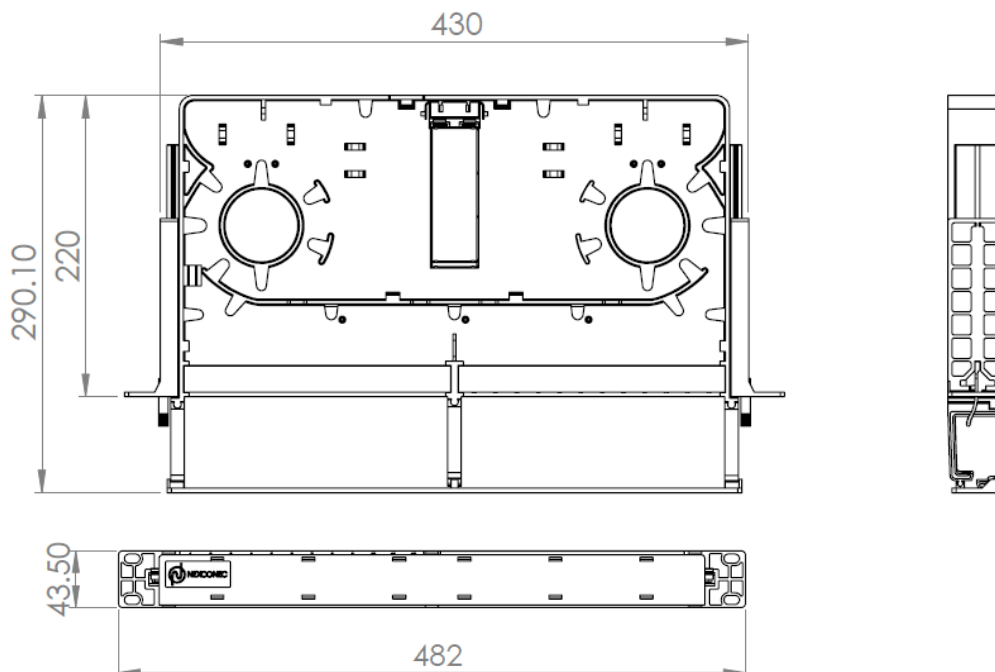
CUSTOM PANEL KIT CONFIGURATOR

| | | | | |
|---------|---|---|---|---|
| MP2PP01 | 1 | 2 | 3 | 4 |
|---------|---|---|---|---|

| MP2PP01 | 1 | Adapter Type | 2 | Adapter Count | 3 | Pigtails Type | | 4 | Pigtails Loading Type | |
|---------|----|--------------|----|---------------|------|----------------|---|--------------|-----------------------|---|
| | LL | LC DX Blue | - | None | - | No Pigtails | - | Tight Buffer | - | FOTAG EIA/TIA 598 (1 Blue/ 2 Orange etc.) |
| | LN | LC DX Green | 6 | 6 Adapters | S1A1 | SC/UPC SMF OS2 | E | Easystrip | FT | France Telecom (1 Red, 2 Blue, etc.) |
| | LQ | LC DX Aqua | 12 | 12 Adapters | S2A1 | SC/APC SMF OS2 | | | PK | Included in pack, Uninstalled |
| | LV | LC DX Erika | 24 | 24 Adapters | L1A1 | LC/UPC SMF OS2 | | | | |
| | SL | SC SX Blue | | | L2A1 | LC/APC SMF OS2 | | | | |
| | SN | SC SX Green | | | S1O3 | SC/UPC MMF OM3 | | | | |
| | SQ | SC SX Aqua | | | S1O4 | SC/UPC MMF OM4 | | | | |
| | SV | SC SX Erika | | | L1O3 | LC/UPC MMF OM3 | | | | |
| | | | | | L1O4 | LC/UPC MMF OM4 | | | | |

*Ask sales for other products and configuration not shown. sales@nexconec.com

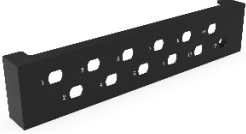
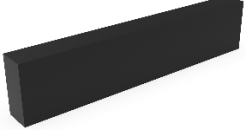
TECHNICAL DRAWING



RELATED PRODUCTS AND ACCESSORIES

| Product | Part Number | Product Description |
|---|-----------------|--|
|  | MP2PL01* | MP2 Adapter Plate 12 LC DX Blue (Loaded) |
|  | MP2PL02 | MP2 Adapter Plate 12 LC DX Green (Loaded) |
|  | MP2PL03 | MP2 Adapter Plate 12 LC DX Aqua (Loaded) |
|  | MP2PL03V | MP2 Adapter Plate 12 LC DX Erika Violet (Loaded) |
|  | MP2PL04 | MP2 Adapter Plate 12 SC SX Blue (Loaded) |
|  | MP2PL05 | MP2 Adapter Plate 12 SC SX Green (Loaded) |
|  | MP2PL06 | MP2 Adapter Plate 12 SC SX Aqua (Loaded) |
|  | MP2PL06V | MP2 Adapter Plate 12 SC SX Erika Violet (Loaded) |
|  | MP2PL07 | MP2 Adapter Plate 12 SC DX Blue (Loaded) |

| | | |
|---|-----------------|--|
|  | MP2PL08 | MP2 Adapter Plate 12 SC DX Green (Loaded) |
|  | MP2PL09 | MP2 Adapter Plate 12 SC DX Aqua (Loaded) |
|  | MP2PL09V | MP2 Adapter Plate 12 SC DX Erika Violet (Loaded) |
|  | MP2PL10 | MP2 Adapter Plate 12 LC QD Blue (Loaded) |
|  | MP2PL11 | MP2 Adapter Plate 12 LC QD Green (Loaded) |
|  | MP2PL12 | MP2 Adapter Plate 12 LC QD Aqua (Loaded) |
|  | MP2PL12V | MP2 Adapter Plate 12 LC QD Erika Violet (Loaded) |
|  | MP2PL13 | MP2 Adapter Plate 12 FC SX (Loaded) |
|  | MP2PL14 | MP2 Adapter Plate 12 ST SX (Loaded) |
|  | MP2PLS | MP2 Adapter Plate 12 SC SX/LC DX (Unloaded) |
|  | MP2PLD | MP2 Adapter Plate 12 SC DX/LC QD (Unloaded) |

| | | |
|---|-----------------------|---|
|  | <p>MP2PLF</p> | <p>MP2 Adapter Plate 12 FC/ST SX (Unloaded)</p> |
|  | <p>MP2PL00</p> | <p>MP2 Blank Plate</p> |

* Add "G" at the end of Part Number for Telecom adapter plates in Grey color. (Example: MP2PL01G)

