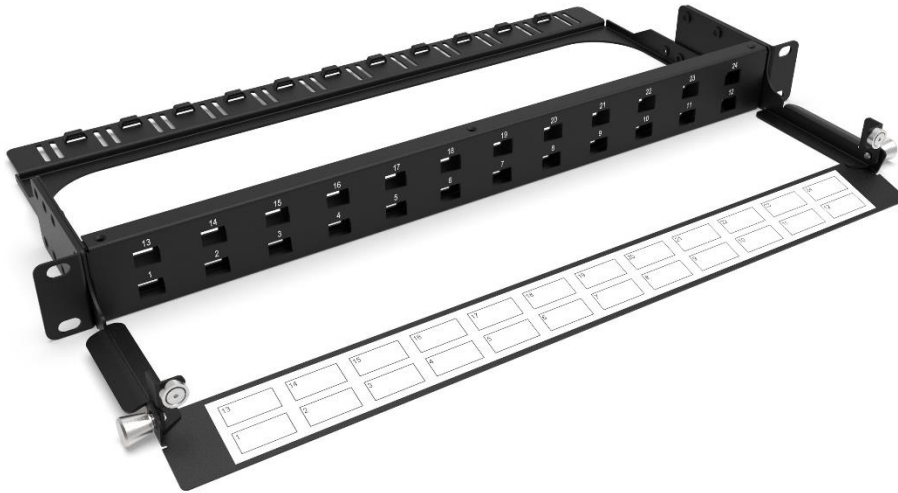


## 1U PATCHING PANEL (UP TO 48FO) - BPP01



Browse on Mobile

 [Browse on Web](#)

Nexconec Breakout Patching Panel is designed to provide housing for connections from an incoming preterm or trunks from the rear of the panel to patch cords on the front. The Open frame allows for quick and easy installation. It accepts up to 48FO with LC.

### FEATURES

- ✓ 1U height with SC, LC or MPO Thru Adapters
- ✓ Up to 48FO in LC
- ✓ Channel to route the patch cords to the rear of the rack within the 1U space
- ✓ RoHS, REACH and SVHC

### APPLICATIONS

- ✓ Datacenter & Enterprise network
- ✓ Indoor application
- ✓ Accepts Indoor and Outdoor Pre-terminated cables


## SPECIFICATIONS

<b>Mounting Type</b>	Rack 19"
<b>Height Unit</b>	1U
<b>Material</b>	Cold rolled steel
<b>Housing Color</b>	Black
<b>Application</b>	Indoor IP20
<b>Lockable</b>	No
<b>Dimensions (W x D x H in MM)</b>	490 x 285.6 x 44
<b>Net Weight</b>	2.3KG

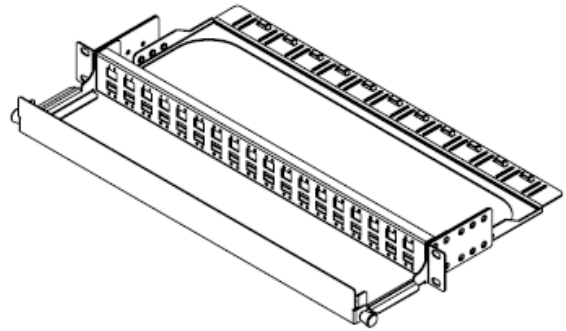
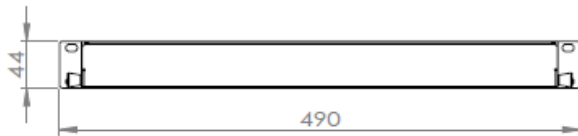
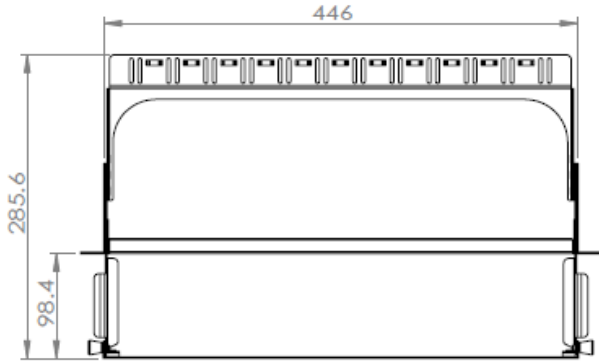
## DESIGN - HARDWARE

<b>Opening Type</b>	Fixed
<b>Access Type</b>	Front access
<b>Front Cable Management</b>	Removable hinged door
<b>Cable Entry Direction</b>	Rear and Front
<b>Rear Cable Management</b>	Support bar
<b>Slot Type</b>	SC Simplex / LC Duplex or MPO/MTP Footprint
<b>Number of Slots</b>	24
<b>Fiber Capacity</b>	Up to 48 in LC / 24 in SC

## ORDER INFORMATION

Product	Part Number	Product Description
	<b>BPP01</b>	1U Patching Panel 24 Ports SC SX/LC Duplex Unloaded (up to 48LC)

## TECHNICAL DRAWINGS



## CUSTOM PANEL KIT CONFIGURATOR

<b>BPP01</b>	<b>1</b>	<b>2</b>	<b>3</b>	<b>4</b>
--------------	----------	----------	----------	----------

<b>BPP01</b>	<b>2</b>	<b>Adapter Type</b>	<b>4</b>	<b>Adapter Color</b>
	S1	SC	L	Blue SM
	S2	SC/APC	N	Green SM
	L1	LC	Q	Aqua OM3
	L2	LC/APC	V	Erika Violet OM4
	M1	MPO/MTP Key up/down	L	Lime OM5
	M2	MPO/MTP Key up/up	-	Nil for MPO