

1U PATCHING PANEL (UP TO 72FO) - BPP02



Browse on Mobile

 Browse on Web

Nexconec Breakout Patching Panel is designed to provide housing for connections from an incoming preterm or trunks from the rear of the panel to patch cords on the front. The Open frame allows for quick and easy installation. It accepts up to 72FO with LC.

FEATURES

- ✓ 1U height with SC, LC or MPO Thru Adapters
- ✓ Up to 72FO in LC
- ✓ Channel to route the patch cords to the rear of the rack within the 1U space
- ✓ RoHS, REACH and SVHC

APPLICATIONS

- ✓ Datacenter & Enterprise network
- ✓ Indoor application
- ✓ Accepts Indoor and Outdoor Pre-terminated cables


SPECIFICATIONS

Mounting Type	Rack 19"
Height Unit	1U
Material	Cold rolled steel
Housing Color	Black
Application	Indoor IP20
Lockable	No
Dimensions (W x D x H in MM)	490 x 285.6 x 44
Net Weight	2.3KG

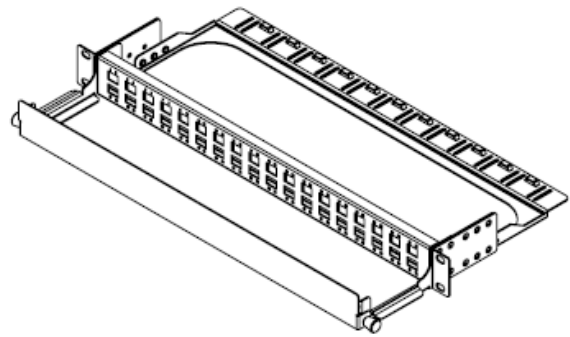
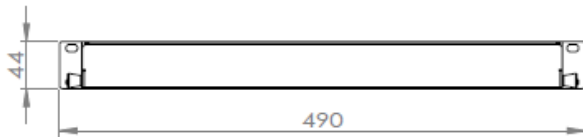
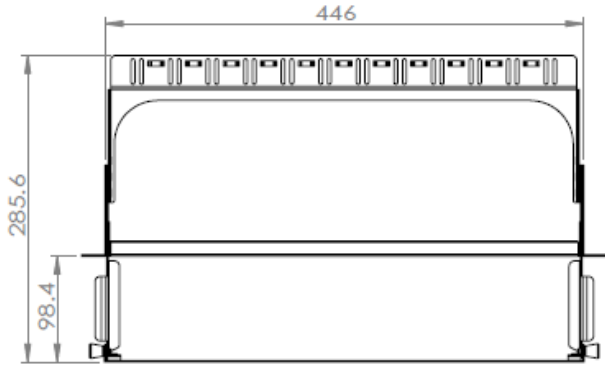
DESIGN - HARDWARE

Opening Type	Fixed
Access Type	Front access
Front Cable Management	Removable hinged door
Cable Entry Direction	Rear and Front
Rear Cable Management	Support bar
Slot Type	SC Simplex / LC Duplex or MPO/MTP Footprint
Number of Slots	36 Ports SC Simplex /LC Duplex
Fiber Capacity	Up to 72 in LC / 36 in SC

ORDER INFORMATION

Product	Part Number	Product Description
	BPP02	1U Patching Panel 36 Ports SC SX/LC Duplex Unloaded (up to 72LC)

TECHNICAL DRAWINGS



CUSTOM PANEL KIT CONFIGURATOR

BPP02	1	2	3	4
--------------	----------	----------	----------	----------

BPP02	2	Adapter Type	4	Adapter Color
	S1	SC	L	Blue SM
	S2	SC/APC	N	Green SM
	L1	LC	Q	Aqua OM3
	L2	LC/APC	V	Erika Violet OM4
	M1	MTP/MPO Key up/down	L	Lime OM5
	M2	MTP/MPO Key up/up	-	Nil for MPO