

1U SLIDING SPLICE PATCH PANEL – **MP2PP00**

(Interchangeable Front Adapter Plates)



Browse on Mobile

 [Browse on Web](#)

NEXCONEC[®] innovative 1RU Sliding Splice Patch Panel has been designed to accept up to **96 fibers**. The 4x splice holders allows splicing of up to 24 fibers per unit. The use of the molded spools ensures the protection of fiber bend radius for the incoming and exiting cables as well as storage of fibers for future use.

Featuring a removable transparent lid and the distinctive panel design providing a smooth slide mechanism facilitated by effortless lock-and-release plastic latches on two sides. Furthermore, the design permits the panel to fully extend when sliding out, ensuring convenient access. Not only does it simplify labeling, maintenance routines, and installation activities, but it also promotes easy visibility and facilitates quick adjustments.

FEATURES

- ✓ Up to 96FO Splicing
- ✓ Standard 19" Rack mounting type
- ✓ Suitable for up to 4 incoming cables
- ✓ Splicing and fiber bend radius integrated in the tray
- ✓ Detachable hooks for cable management between panels
- ✓ Transparent lid for easier maintenance and verification
- ✓ Optional Ribbon splice holders
- ✓ RoHS, REACH SvHC


APPLICATIONS

- ✓ Data centers, Premises installations, Enterprise networks
- ✓ Ethernet, Fiber Channel, ATM, LAN, MAN and WAN
- ✓ Data communication and telecommunication networks
- ✓ Indoor applications

SPECIFICATIONS

Parameters	Value
Mounting Type	Rack 19"
Opening Type	Sliding Tray
Access Type	Front and Rear access
Front Cable Management	Detachable Hooks
Cable Entry Direction	Rear
Rear Cable Management	4 Cable Entries (OD: 2x PG13.5 and 2x PG16 mm)
Height Unit	1U
Dimensions (W x D x H in MM)	482 x 287 x 43.5 mm
Material	PC & PC+ABS
Housing Color	Black or [Grey (RAL 7035) Optional]
Compliance	RoHS, REACH SvHC
Application	Indoor IP20
Lockable	No
Net Weight	1.5 Kg

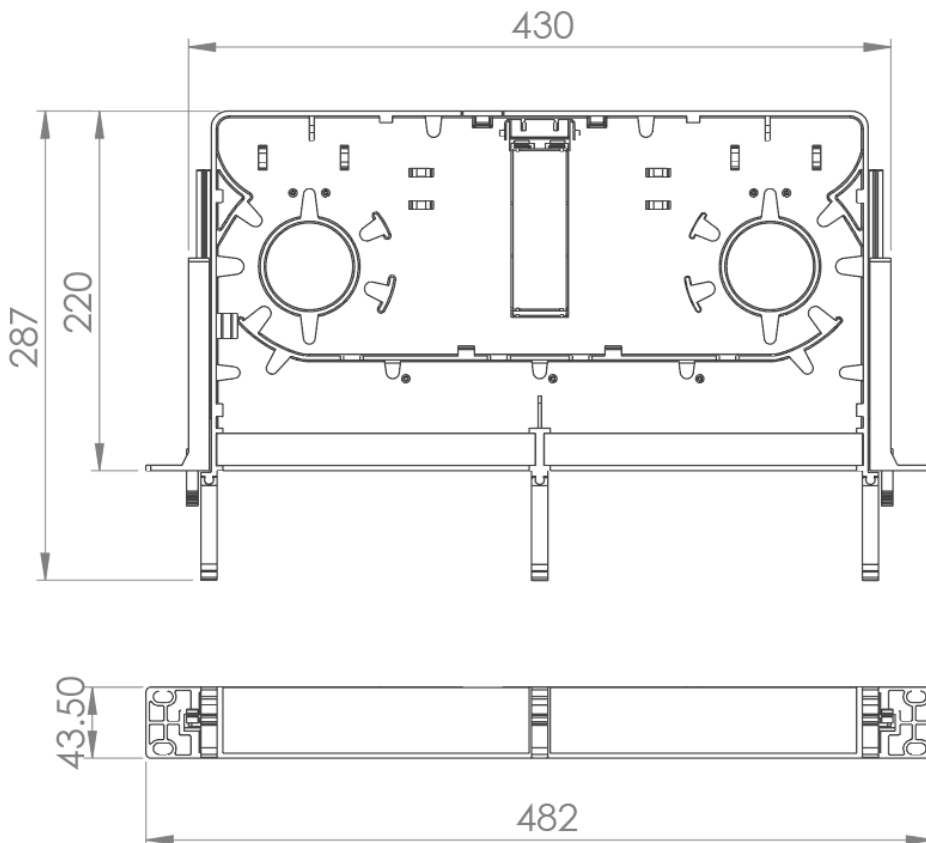
ORDER INFORMATION

Product	Part Number	Product Description
	MP2PP00*	1U Sliding Splice Patch Panel Up to 96FO (Black)

* Add "G" at the end of Part Number for Telecom panels in Grey color. (Example: MP2PP00G)

Included kit in the package: 2x Gland PG13.5, 2x Cable Tie, 4x Cage Nuts & Screws, 4x Splice Holders.

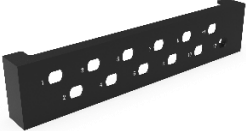

TECHNICAL DRAWING



RELATED PRODUCTS AND ACCESSORIES

Product	Part Number	Product Description
	MP2PL01*	MP2 Adapter Plate 12 LC DX Blue (Loaded)
	MP2PL02	MP2 Adapter Plate 12 LC DX Green (Loaded)
	MP2PL03	MP2 Adapter Plate 12 LC DX Aqua (Loaded)
	MP2PL03V	MP2 Adapter Plate 12 LC DX Erika Violet (Loaded)
	MP2PL04	MP2 Adapter Plate 12 SC SX Blue (Loaded)
	MP2PL05	MP2 Adapter Plate 12 SC SX Green (Loaded)
	MP2PL06	MP2 Adapter Plate 12 SC SX Aqua (Loaded)
	MP2PL06V	MP2 Adapter Plate 12 SC SX Erika Violet (Loaded)
	MP2PL07	MP2 Adapter Plate 12 SC DX Blue (Loaded)

	MP2PL08	MP2 Adapter Plate 12 SC DX Green (Loaded)
	MP2PL09	MP2 Adapter Plate 12 SC DX Aqua (Loaded)
	MP2PL09V	MP2 Adapter Plate 12 SC DX Erika Violet (Loaded)
	MP2PL10	MP2 Adapter Plate 12 LC QD Blue (Loaded)
	MP2PL11	MP2 Adapter Plate 12 LC QD Green (Loaded)
	MP2PL12	MP2 Adapter Plate 12 LC QD Aqua (Loaded)
	MP2PL12V	MP2 Adapter Plate 12 LC QD Erika Violet (Loaded)
	MP2PL13	MP2 Adapter Plate 12 FC SX (Loaded)
	MP2PL14	MP2 Adapter Plate 12 ST SX (Loaded)
	MP2PLS	MP2 Adapter Plate 12 SC SX/LC DX (Unloaded)
	MP2PLD	MP2 Adapter Plate 12 SC DX/LC QD (Unloaded)

	<p>MP2PLF</p>	<p>MP2 Adapter Plate 12 FC/ST SX (Unloaded)</p>
	<p>MP2PL00</p>	<p>MP2 Blank Plate</p>

* Add "G" at the end of Part Number for Telecom adapter plates in Grey color. (Example: MP2PL01G)

