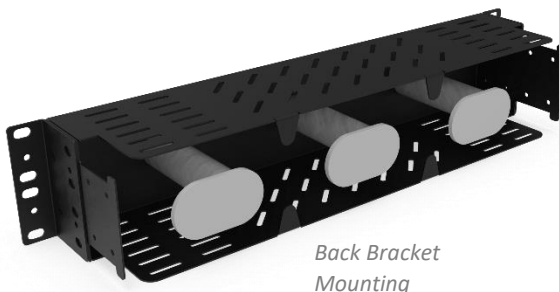
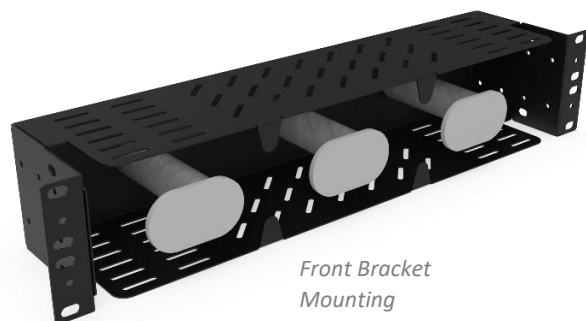


2U CABLE STORAGE MODULE – FCM11



Browse on Mobile

 Browse on Web

NEXCONEC[®] 2U Cable Storage Module, the perfect solution for organizing and managing patch cords and fibers in your network rack. This sleek and efficient storage panel is designed to keep your cables neat and easily accessible, making maintenance a breeze. Say goodbye to tangled cords and messy racks with our 2RU cable storage panel.

The cable manager's unique design features an adjustable mounting bracket that can be positioned as Front Bracket Mounting, Back Bracket Mounting, or Middle Bracket Mounting.

FEATURES

- ✓ Standard 19" or 21" Rack mounting type
- ✓ Manages excessive lengths of cords in a 2U space
- ✓ Unique adjustable mounting bracket positions
- ✓ High durability Cold Rolled Steel & ABS material
- ✓ Provides patch cable management with minimal attenuation loss
- ✓ Simple and easy installation with integrated fiber routing
- ✓ RoHS, REACH SvHC

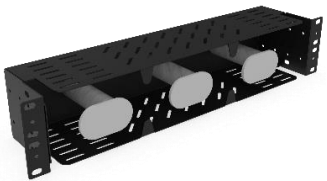
APPLICATIONS

- ✓ Data centers, premise installations, telecommunication networks
- ✓ Ethernet, Fiber Channel, ATM, LAN, MAN and WAN
- ✓ Data communication
- ✓ Indoor applications

SPECIFICATIONS

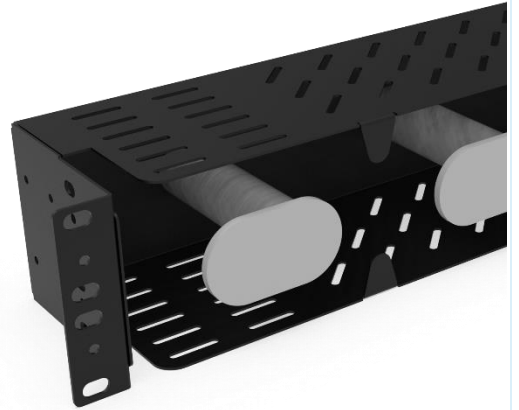
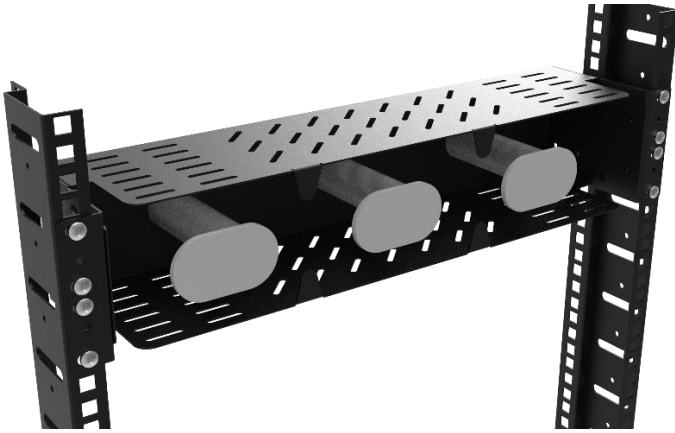
Parameters	Value
Mounting Type	Rack 19" or 21"
Mounting Bracket	Adjustable (Front, Back, Middle) bracket mounting
Opening Type	Fixed
Access Type	Front access
Front Cable Management	No
Cable Entry Direction	Left and Right Entry
Height Unit	2U
Dimensions (W x D x H in MM)	482 x 105.2 x 88 mm
Housing Material	Cold Rolled Steel (1.2mm)
Housing Color	Black
Number of Cable Spools	3
Cable Spools Material	ABS (Grey)
Operating Temperature	-40 ~ +60 °C
Compliance	RoHS, REACH SvHC
Lockable	No
Net Weight	1.3 Kg

ORDER INFORMATION

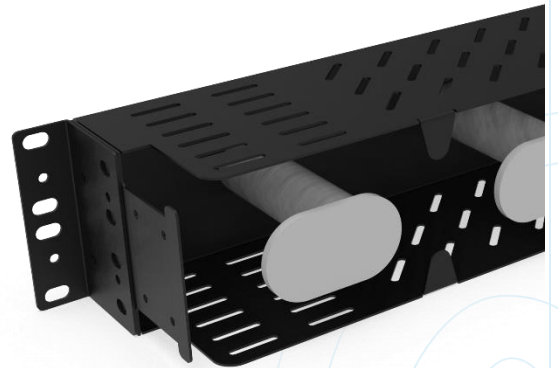
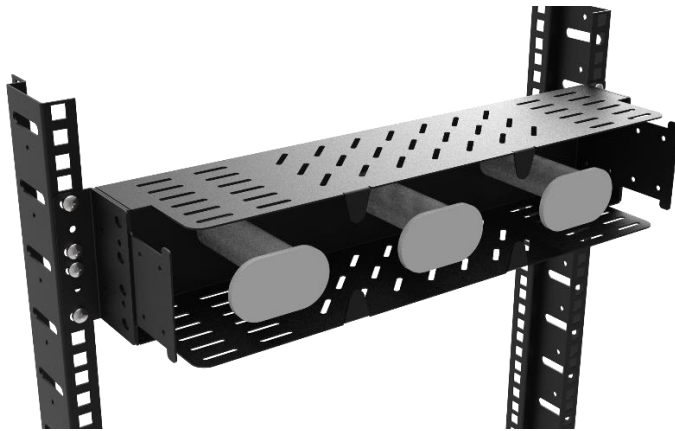
Product	Part Number	Product Description
	FCM11	2U Cable Storage Module 19" or 21" Compatible

MOUNTING OPTIONS

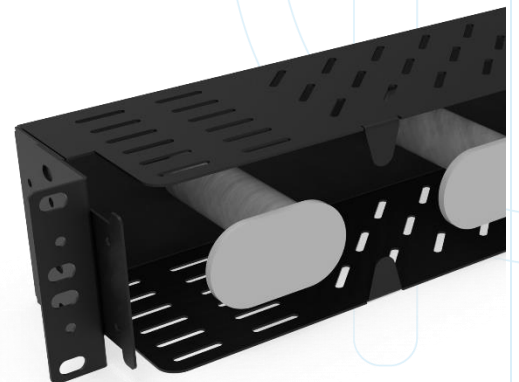
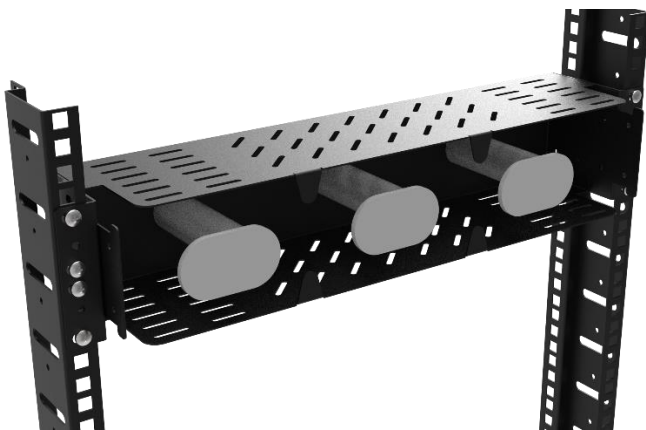
Front Bracket Mounting



Back Bracket Mounting



Middle Bracket Mounting



TECHNICAL DRAWING

