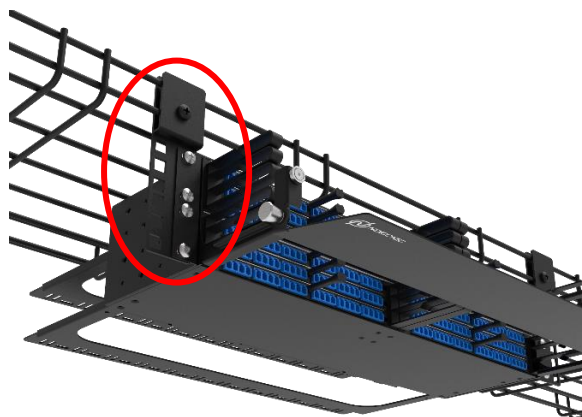
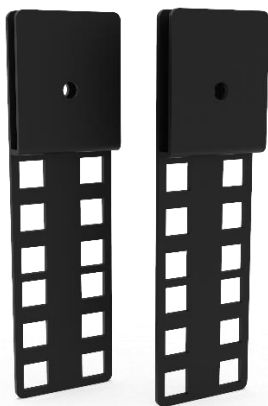


2U MINI OVERHEAD BRACKETS – 2UBRK01



Browse on Mobile

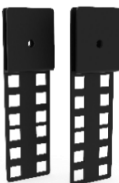
 [Browse on Web](#)

Nexconec mini overhead brackets are designed to mount in overhead rails. This accessory helps to create extra space within datacenter to install patch panels without a cabinet. Special screws mounting provides quick and easy installation.

SPECIFICATIONS

Parameters	Value
Dimensions (WxHxD)	40 x 145 x 10 mm
Mounting Type	Overhead Mounting
Capacity	2U
Material – Body	Cold-rolled Steel
Material Thickness	2.0mm
Color	Black
19 inch fixing	M6 screw thread

ORDER INFORMATION

Product	Part Number	Product Description
	2UBRK01	2U Mini Overhead Brackets (2pcs Set)

TECHNICAL DRAWING

