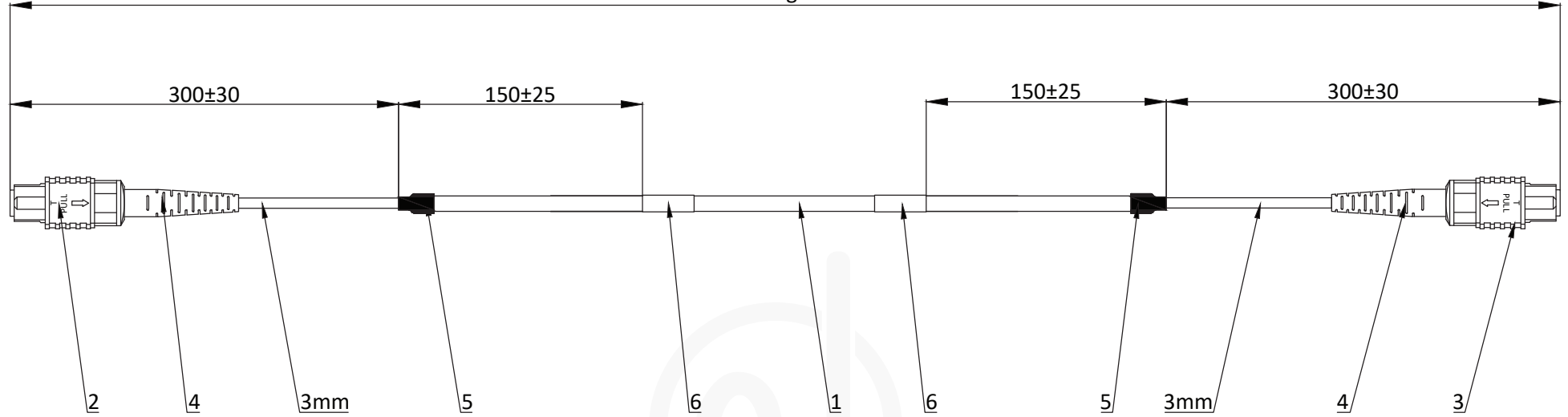


End A

End B

Length



Cable Options

Fibre Type	Cable Jacket Colour
G.657.A1	Yellow
OM3	Aqua
OM4	Erika Violet

Diagram is for illustration.


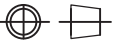
NOTE:

1. Polarity based on TIA 568-D

24f MPO Connector Options

MPO Options	Sleeve Colour
MPO Multimode Standard (Male or Female)	Beige
MPO Singlemode Standard (Male or Female)	Green
OM3 MPO Multimode Low Loss (Male or Female)	Aqua
OM4 MPO Multimode Low Loss (Male or Female)	Erika Violet
MPO Singlemode Low Loss (Male or Female)	Yellow

Item No	Description	Qty.
6	Serial Number Label (Wrap-around)	2
5	Heatshrink (Black)	2
4	MPO Connector Boot (Black)	2
3	End B 24f MPO Connector (See MPO Options)	1
2	End A 24f MPO Connector (See MPO Options)	1
1	24f LSZH Micro Cable Double Jacket, 4.5mm (See Cable Options)	1

01	18/01/2021	First release				
REV No.	DATE	DETAIL				
		REV: REV 01				
		SHEET 1/6				
		DRW: S.W	TITLE: 24F MPO Trunk Polarity Variants			
Tolerances			CHECK: M.G	DWG NO: NXMO-N00473-01	UNIT: mm	SCALE: 1:1
Length<0.5m		-0/+100mm	APPR: YES	DATE: 29/05/2023		
0.5m≤Length<5m		-0/+150mm				
5m≤Length<20m		-0/+200mm				
Length≥20m		+/-1%				

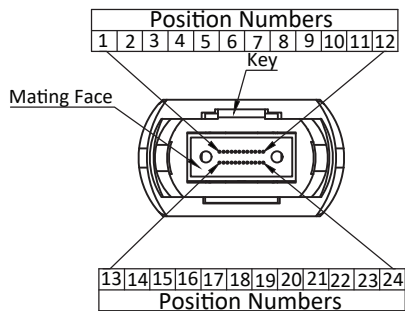
Fibre Mapping Options


Polarity A

MPO Polarity as viewed from ferrule end face with Keyway at the top - Left to Right		
Position	Fibre Colour	MPO Row
1	Blue	Top Row
2	Orange	
3	Green	
4	Brown	
5	Grey	
6	White	
7	Red	
8	Black	
9	Yellow	
10	Purple	
11	Pink	
12	Aqua	
13	Blue/T	Bottom Row
14	Orange/T	
15	Green/T	
16	Brown/T	
17	Grey/T	
18	White/T	
19	Red/T	
20	Black/T	
21	Yellow/T	
22	Purple/T	
23	Pink/T	
24	Aqua/T	
/T=With Tracer		

MPO Polarity as viewed from ferrule end face with Keyway at the top - Left to Right		
Position	Fibre Colour	MPO Row
1	Blue/T	Top Row
2	Orange/T	
3	Green/T	
4	Brown/T	
5	Grey/T	
6	White/T	
7	Red/T	
8	Black/T	
9	Yellow/T	
10	Purple/T	
11	Pink/T	
12	Aqua/T	
13	Blue	Bottom Row
14	Orange	
15	Green	
16	Brown	
17	Grey	
18	White	
19	Red	
20	Black	
21	Yellow	
22	Purple	
23	Pink	
24	Aqua	
/T=With Tracer		

End 1 Position	Fibre Colour	End 2 Position
1	Blue	13
2	Orange	14
3	Green	15
4	Brown	16
5	Grey	17
6	White	18
7	Black	19
8	Red	20
9	Yellow	21
10	Purple	22
11	Pink	23
12	Aqua	24
13	Blue/T	1
14	Orange/T	2
15	Green/T	3
16	Brown/T	4
17	Grey/T	5
18	White/T	6
19	Red/T	7
20	Black/T	8
21	Yellow/T	9
22	Purple/T	10
23	Pink/T	11
24	Aqua/T	12



01	18/01/2021	First release			
REV No.	DATE	DETAIL			
		REV: REV 01			
		SHEET 2/6			
		DRW: S.W	TITLE: 24F MPO Trunk Polarity Variants		
Tolerances		CHECK: M.G	DWG NO: NXMO-N00473-01	UNIT: mm	SCALE: 1:1
Length<0.5m	-0/+100mm	APPR: YES	DATE: 29/05/2023		
0.5m≤Length<5m	-0/+150mm				
5m≤Length<20m	-0/+200mm				
Length≥20m	+/-1%				

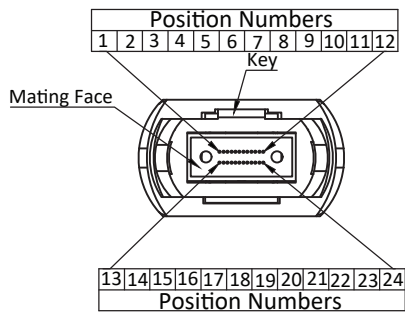
Fibre Mapping Options

Polarity B


MPO Polarity as viewed from ferrule end face with Keyway at the top - Left to Right		
Position	Fibre Colour	MPO Row
1	Blue	Top Row
2	Orange	
3	Green	
4	Brown	
5	Grey	
6	White	
7	Red	
8	Black	
9	Yellow	
10	Purple	
11	Pink	
12	Aqua	
13	Blue/T	Bottom Row
14	Orange/T	
15	Green/T	
16	Brown/T	
17	Grey/T	
18	White/T	
19	Red/T	
20	Black/T	
21	Yellow/T	
22	Purple/T	
23	Pink/T	
24	Aqua/T	
/T=With Tracer		

MPO Polarity as viewed from ferrule end face with Keyway at the top - Left to Right		
Position	Fibre Colour	MPO Row
1	Aqua/T	Top Row
2	Pink/T	
3	Purple/T	
4	Yellow/T	
5	Black/T	
6	Red/T	
7	White/T	
8	Grey/T	
9	Brown/T	
10	Green/T	
11	Orange/T	
12	Blue/T	
13	Aqua	Bottom Row
14	Pink	
15	Purple	
16	Yellow	
17	Black	
18	Red	
19	White	
20	Grey	
21	Brown	
22	Green	
23	Orange	
24	Blue	
/T=With Tracer		

End 1 Position	Fibre Colour	End 2 Position
1	Blue	24
2	Orange	23
3	Green	22
4	Brown	21
5	Grey	20
6	White	19
7	Black	18
8	Red	17
9	Yellow	16
10	Purple	15
11	Pink	14
12	Aqua	13
13	Blue/T	12
14	Orange/T	11
15	Green/T	10
16	Brown/T	9
17	Grey/T	8
18	White/T	7
19	Red/T	6
20	Black/T	5
21	Yellow/T	4
22	Purple/T	3
23	Pink/T	2
24	Aqua/T	1



NEXCONEC

01	18/01/2021	First release		
REV No.	DATE	DETAIL		
		REV: REV 01		
		SHEET 3/6		
		DRW: S.W		
<b>Tolerances</b>		<b>TITLE:</b> 24F MPO Trunk Polarity Variants		
Length<0.5m	-0/+100mm	CHECK: M.G	DWG NO: NXMO-N00473-01	UNIT: mm
0.5m≤Length<5m	-0/+150mm	APPR: YES	DATE: 29/05/2023	SCALE: 1:1
5m≤Length<20m	-0/+200mm			
Length≥20m	+/-1%			

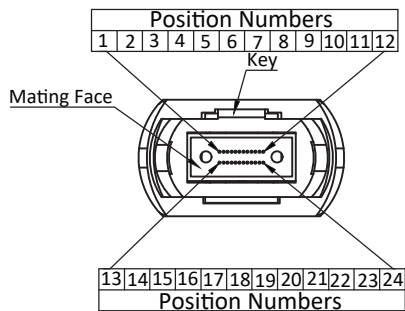
Fibre Mapping Options


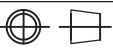
Polarity C

MPO Polarity as viewed from ferrule end face with Keyway at the top - Left to Right		
Position	Fibre Colour	MPO Row
1	Blue	Top Row
2	Orange	
3	Green	
4	Brown	
5	Grey	
6	White	
7	Red	
8	Black	
9	Yellow	
10	Purple	
11	Pink	
12	Aqua	
13	Blue/T	Bottom Row
14	Orange/T	
15	Green/T	
16	Brown/T	
17	Grey/T	
18	White/T	
19	Red/T	
20	Black/T	
21	Yellow/T	
22	Purple/T	
23	Pink/T	
24	Aqua/T	
/T=With Tracer		

MPO Polarity as viewed from ferrule end face with Keyway at the top - Left to Right		
Position	Fibre Colour	MPO Row
1	Orange/T	Top Row
2	Blue/T	
3	Brown/T	
4	Green/T	
5	White/T	
6	Grey/T	
7	Black/T	
8	Red/T	
9	Purple/T	
10	Yellow/T	
11	Aqua/T	
12	Pink/T	
13	Orange	Bottom Row
14	Blue	
15	Brown	
16	Green	
17	White	
18	Grey	
19	Black	
20	Red	
21	Purple	
22	Yellow	
23	Aqua	
24	Pink	
/T=With Tracer		

End 1 Position	Fibre Colour	End 2 Position
1	Blue	14
2	Orange	13
3	Green	16
4	Brown	15
5	Grey	18
6	White	17
7	Black	20
8	Red	19
9	Yellow	22
10	Purple	21
11	Pink	24
12	Aqua	23
13	Blue/T	2
14	Orange/T	1
15	Green/T	4
16	Brown/T	3
17	Grey/T	6
18	White/T	5
19	Red/T	8
20	Black/T	7
21	Yellow/T	10
22	Purple/T	9
23	Pink/T	12
24	Aqua/T	11



01	18/01/2021	First release			
REV No.	DATE	DETAIL			
		REV: REV 01	 TITLE: 24F MPO Trunk Polarity Variants		
		SHEET 4/6			
		DRW: S.W			
Tolerances		CHECK: M.G	DWG NO: NXMO-N00473-01	UNIT: mm	SCALE: 1:1
Length<0.5m -0/+100mm		APPR: YES	DATE: 29/05/2023		
0.5m≤Length<5m -0/+150mm					
5m≤Length<20m -0/+200mm					
Length≥20m +/-1%					

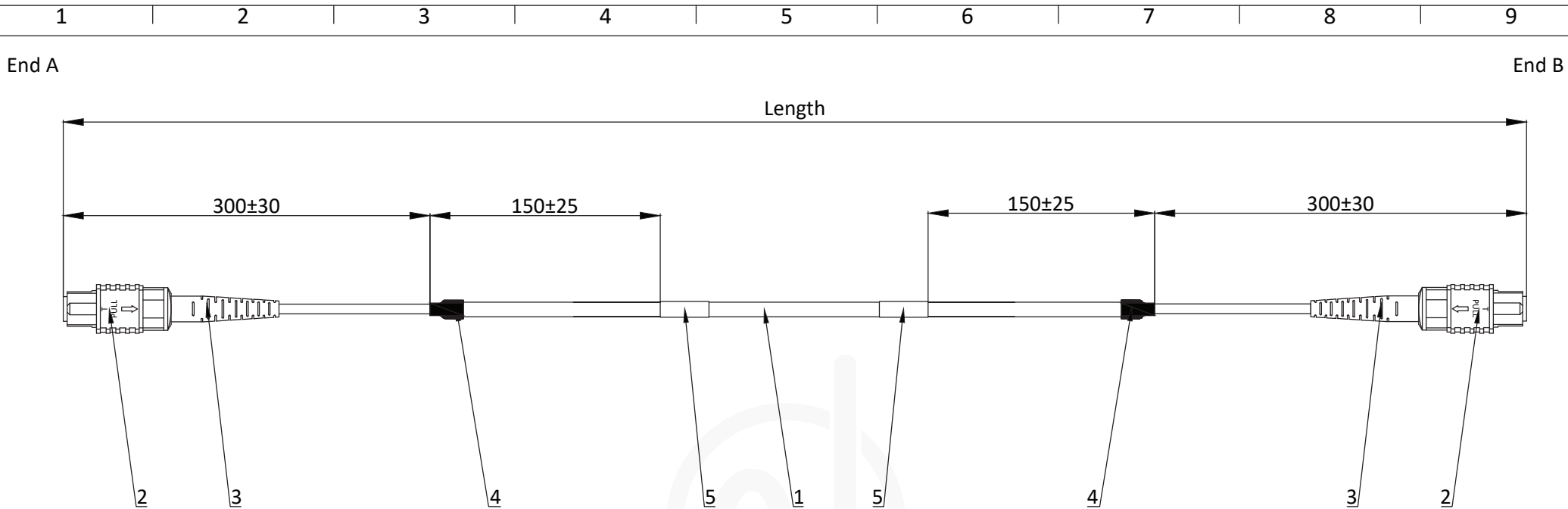


Diagram is for illustration.  
 Please see page 2 for special fibre mapping.

NEXCONEC

**Straight AABB**

5	Serial Number Label (Wrap-around)	2
4	Heatshrink (Black)	2
3	MPO Connector Boot (Black)	2
2	24f MPO Female Elite Connector (Erika Violet)	2
1	24f LSZH OM4 Micro Cable Double Jacket, 4.5mm (Erika Violet)	1
Item No	Description	Qty.

01	29/05/2023	First release			
REV No.	DATE	DETAIL			
		REV: REV 01			
		SHEET 5/6			
		DRW: S.W	TITLE: 24F MPOFE-MPOFE Trunk		
Tolerances		CHECK: M.G	DWG NO: NXMO-N00473-01	UNIT: mm	SCALE: 1:1
Length<0.5m	-0/+100mm	APPR: YES	DATE: 29/05/2023		
0.5m≤Length<5m	-0/+150mm				
5m≤Length<20m	-0/+200mm				
Length≥20m	+/-1%				

Fibre Mapping Options

End A

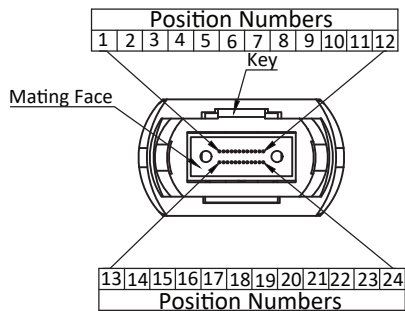
MPO Polarity as viewed from ferrule end face with Keyway at the top - Left to Right		
Position	Fibre Colour	MPO Row
1	Blue	Top Row
2	Orange	
3	Green	
4	Brown	
5	Grey	
6	White	
7	Red	
8	Black	
9	Yellow	
10	Purple	
11	Pink	
12	Aqua	
13	Blue/T	Bottom Row
14	Orange/T	
15	Green/T	
16	Brown/T	
17	Grey/T	
18	White/T	
19	Red/T	
20	Black/T	
21	Yellow/T	
22	Purple/T	
23	Pink/T	
24	Aqua/T	
/T=With Tracer		


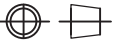
End B

MPO Polarity as viewed from ferrule end face with Keyway at the top - Left to Right		
Position	Fibre Colour	MPO Row
1	Blue	Top Row
2	Orange	
3	Green	
4	Brown	
5	Grey	
6	White	
7	Red	
8	Black	
9	Yellow	
10	Purple	
11	Pink	
12	Aqua	
13	Blue/T	Bottom Row
14	Orange/T	
15	Green/T	
16	Brown/T	
17	Grey/T	
18	White/T	
19	Red/T	
20	Black/T	
21	Yellow/T	
22	Purple/T	
23	Pink/T	
24	Aqua/T	
/T=With Tracer		

End 1 Position	Fibre Colour	End 2 Position
1	Blue	1
2	Orange	2
3	Green	3
4	Brown	4
5	Grey	5
6	White	6
7	Black	7
8	Red	8
9	Yellow	9
10	Purple	10
11	Pink	11
12	Aqua	12
13	Blue/T	13
14	Orange/T	14
15	Green/T	15
16	Brown/T	16
17	Grey/T	17
18	White/T	18
19	Red/T	19
20	Black/T	20
21	Yellow/T	21
22	Purple/T	22
23	Pink/T	23
24	Aqua/T	24

**Straight AABB**



01	29/05/2023	First release			
REV No.	DATE	DETAIL			
		REV: REV 01			
		SHEET 6/6			
		DRW: S.W	TITLE: 24F MPOFE-MPOFE Trunk		
<b>Tolerances</b>		CHECK: M.G	DWG NO: NXMO-N00473-01	UNIT: mm	SCALE: 1:1
Length<0.5m	-0/+100mm	APPR: YES	DATE: 29/05/2023		
0.5m≤Length<5m	-0/+150mm				
5m≤Length<20m	-0/+200mm				
Length≥20m	+/-1%				