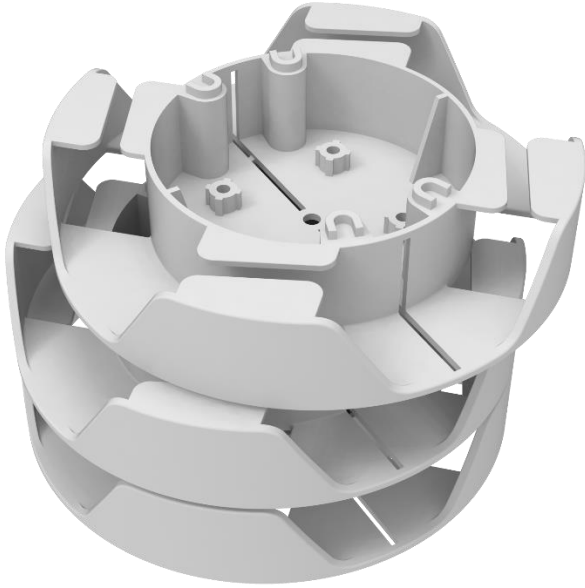


FIBER MANAGER SPOOL - FSP02



Browse on Mobile

 Browse on Web

The Nexconec Fiber Spool manages fiber slack in all different type of rack and wall mount enclosures. Fiber retention tabs maintain minimum bend radius control, while rounded edges eliminate the risk of snagging and stress.

Designed to accommodate different cable diameters of up to 3mm, this unit can be split into half to accommodate different fiber routing as well be stacked together thru a simple snap-in.

FEATURES

- ✓ Allows easy storage of excess fiber and multidirectional routing of entry and exit fibers
- ✓ Coiling of 250 μ m, 900 μ m buffered fibers up to 3mm cables
- ✓ Minimum 40mm Bend Radius
- ✓ Clips together allowing multiple stacks
- ✓ Can be split into half section
- ✓ Mountable via screw holes or double sided adhesive pad

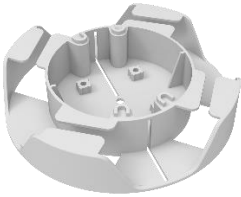
APPLICATIONS

- ✓ Fiber management
- ✓ Internal and external
- ✓ Wall boxes
- ✓ Patch panels

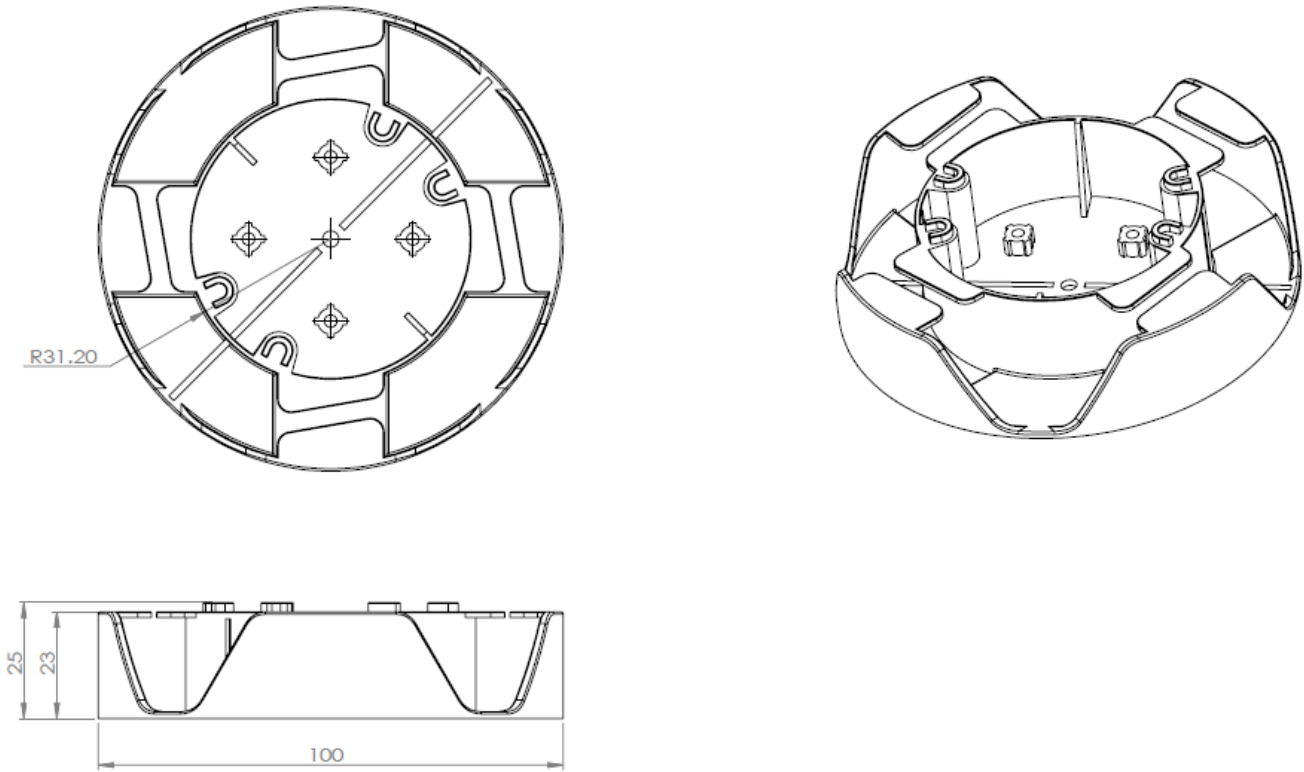
SPECIFICATIONS

Parameters	Units	
Dimension (W-H)	mm	100 x 25
Material – body		ABS Grey RAL7044
Compliance		TIA/EIA, IEC, RoHS, Reach/SVHC
Accessories Included		Double Sided Tape

ORDER INFORMATION

Product	Part Number	Product Description
	FSP02	Fiber Manager Spool

TECHNICAL DRAWING



**Patent Pending*