

FIBER SPLICE TRAY - FSP01



Browse on Mobile

 [Browse on Web](#)

Nexconec splice tray is designed to safely splice 12 or 24 individual fibers which can be installed in rack mount patch panels, wall mount enclosures, terminal box or distribution unit. The splice trays provide security for fusion splicing and can be used with different cable options. The tray incorporates clamps to secure loose tubes and pigtails on entry and exit.

FEATURES

- ✓ Hold up to 12 or 24 heat-shrink splices protectors
- ✓ 250µm, 600µm or up to 900µm buffered fibers
- ✓ Accommodates 40-45 mm heat shrink
- ✓ Stackable with individual access available to each splice tray
- ✓ Incorporated clamp to secure fibres on entry and exit
- ✓ 3 positions mountable holes or adhesive pads
- ✓ Transparent lid

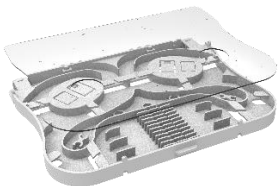
APPLICATIONS

- ✓ Fiber management
- ✓ Internal and external
- ✓ Wall boxes
- ✓ Patch panels

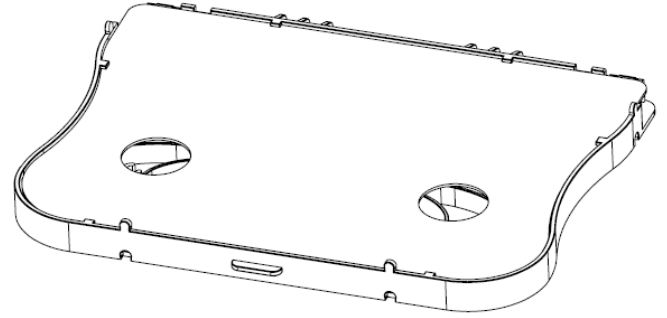
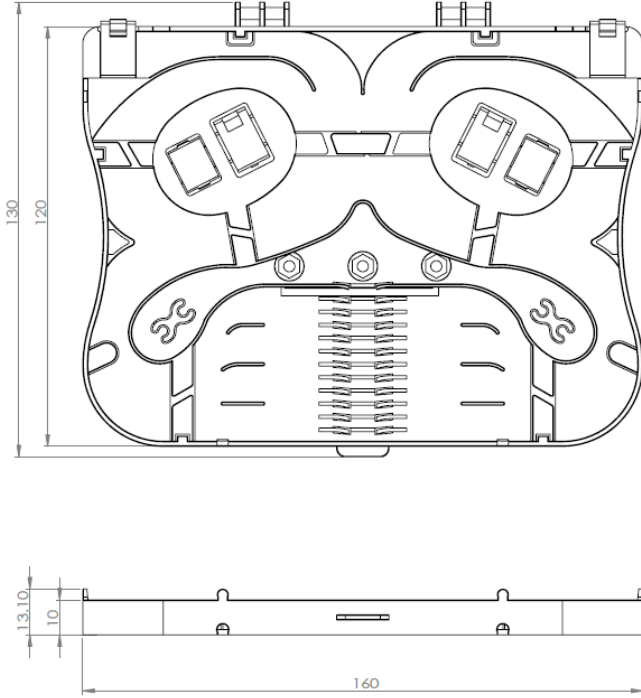
SPECIFICATIONS

| Parameters | Units | |
|----------------------|-------|--|
| Dimension | mm | 160 x 130 x 13.10 |
| Material – body | | ABS Grey RAL7044 |
| Material – lid | | PVC Transparent |
| Compliance | | TIA/EIA, IEC, RoHS, Reach/SVHC |
| Accessories Included | | Mounting Screws + Double sided Adhesive tape |

ORDER INFORMATION

| Product | Part Number | Product Description |
|---|--------------|------------------------------|
|  | FSP01 | Fiber Optic Splice Tray 24FO |

TECHNICAL DRAWING



**Patent Pending*