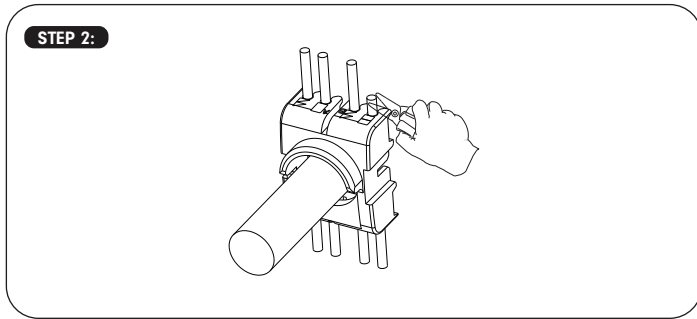
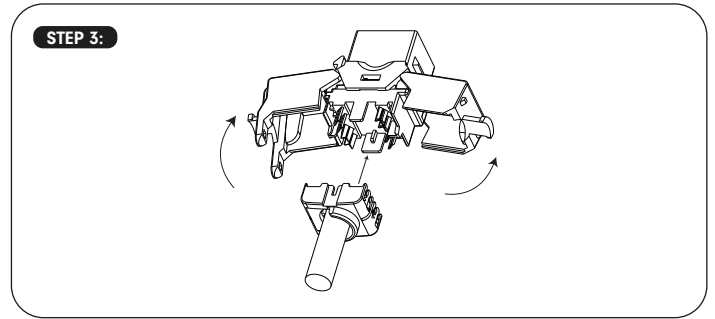


Strip off 1.6 inch / 40mm of cable jacket.

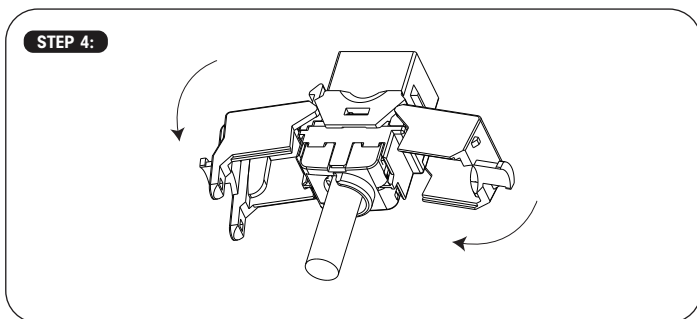
JACK PIN DESIGNATIONS	TIA / EIA T568A	TIA / EIA T568B
	1	White/Green
2	Green	Orange
3	White/Orange	White/Green
6	Orange	Green
4	Blue	Blue
5	White/Blue	White/Blue
7	White/Brown	White/Brown
8	Brown	Brown



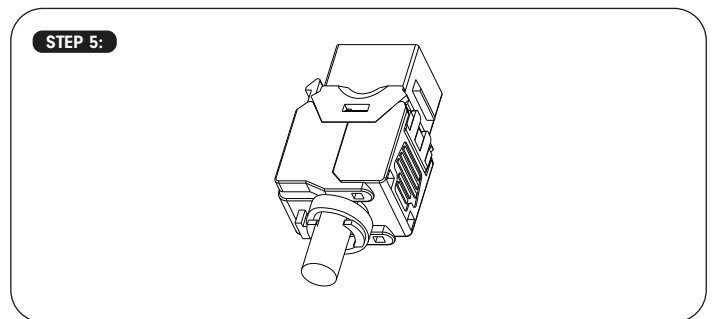
Insert the cable into the termination cap and fan out all four twisted pairs. Following the instruction of the color coded wire position printed on the termination cap, put wires into the slots and make sure the wires are in the proper slot. Trim the exceeded wires.



Install the termination cap to IDC site, Please notice the right direction.



Press the punching wings, punch the termination cap into the keystone.



Using a cable tie to fix the cable.

