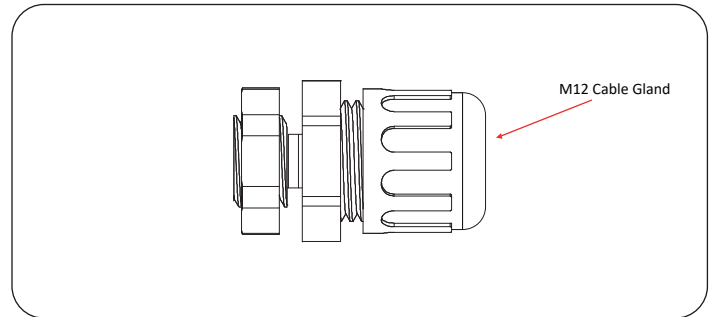
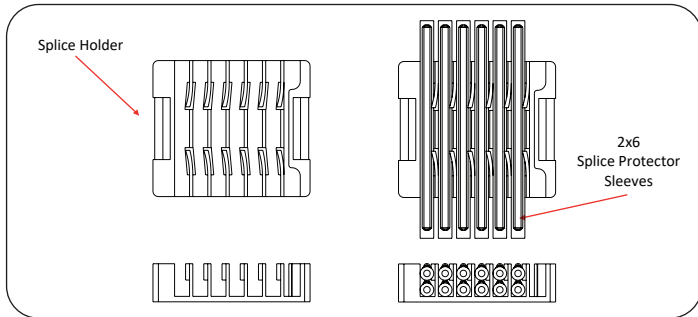


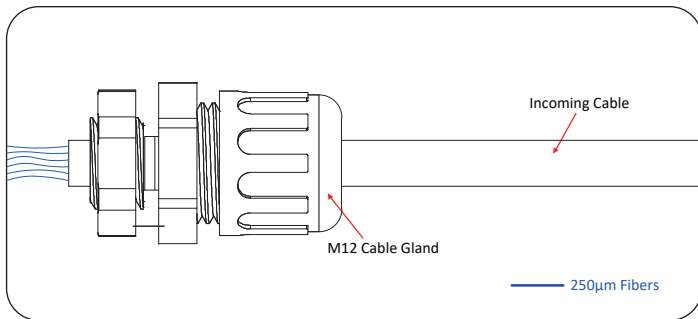
MP4 Module Supplied with:

- A.** 12F or 24F x 1000m 600um tight buffer or easy strip pigtails, if entire length is stripped to 250um 800 – 1000mm is ok for use, if left at 600um recommended length is 400-450mm.
- B.** 2 x 6 Slot Splice holders, and each can hold 12 splices as 2 rows of 6 splice sleeves.
- C.** 24 X 40mm splice protection sleeves.
- D.** 2 x M12 glands for cable diameter 3.0 – 8.0mm.



STEP 1:

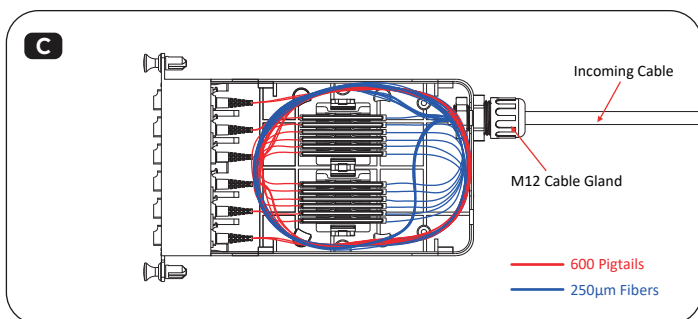
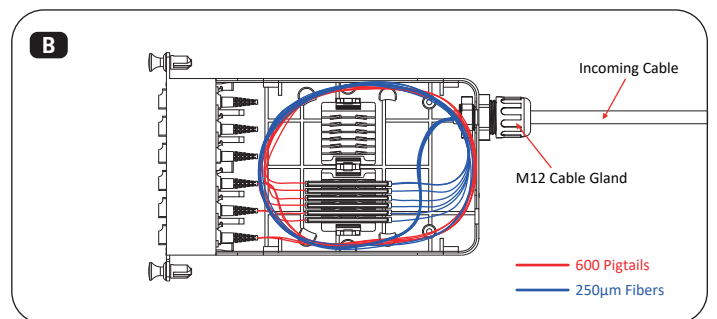
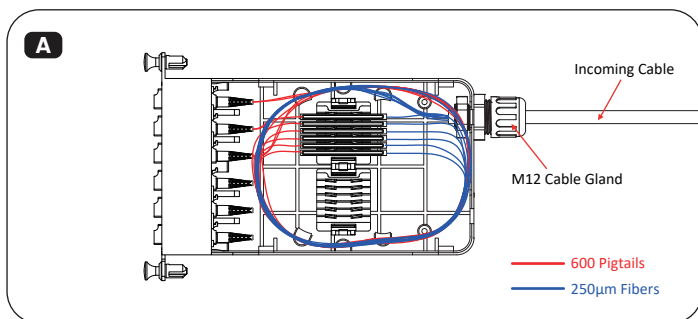
Clamp incoming cable using the M12 glands, ensure the cable jacket protrudes 5 - 10mm into the cassette. Recommended length for fibers from incoming bulk cables are 1m for 250um and 400-450mm for 600um or 900um.



STEP 2:

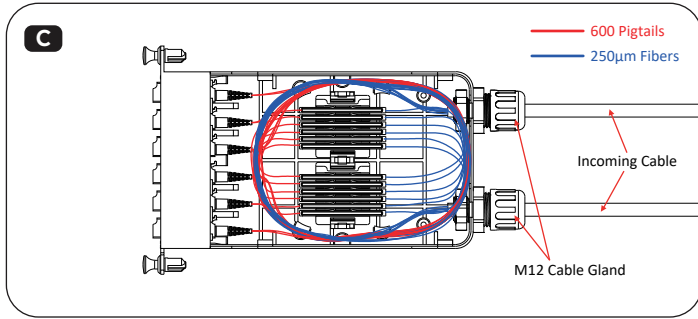
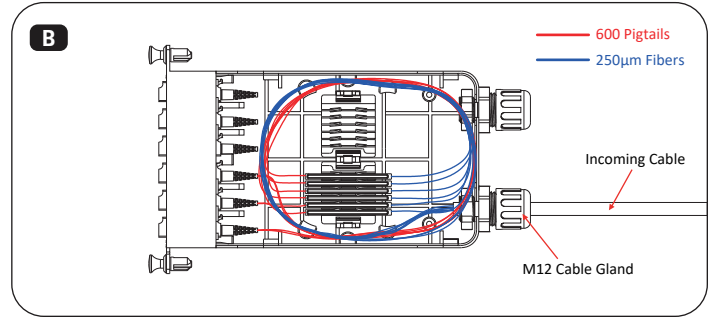
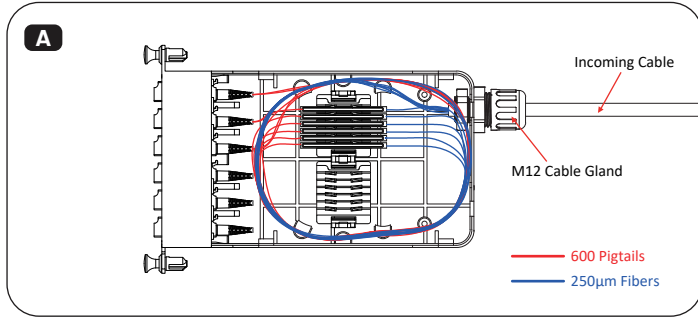
OPTION-1

For 12F cable follow pic A for cable routing. For 24F cable follow pic A for first 12F and pic B for the next 12F for routing. Pic C demonstrates 24F cable fully spliced.



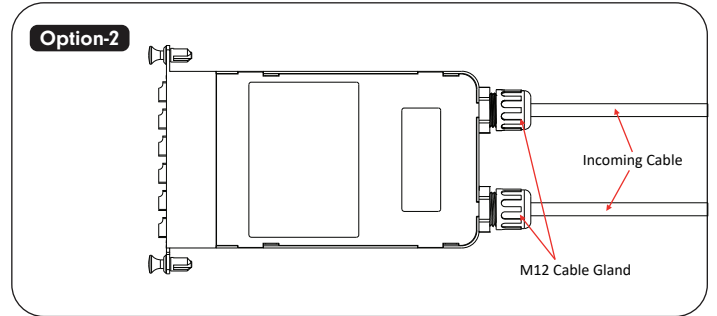
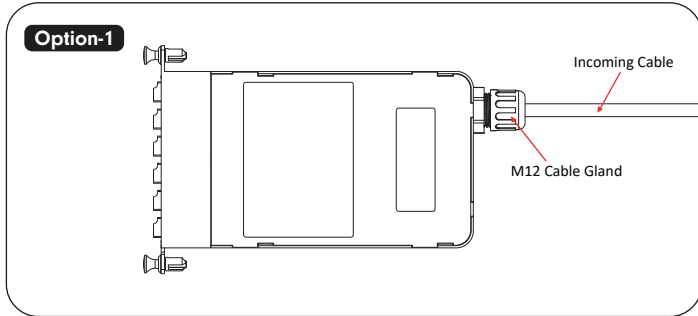
OPTION-2

For 2 x 12F cable follow pic A for cable routing. For 24F cable follow A for first 12F and B for the next 12F for routing. Pic C demonstrates 24F cable fully spliced.



STEP 3:

Assemble the lid based on both options.



For more information please visit us
nexconec.com

