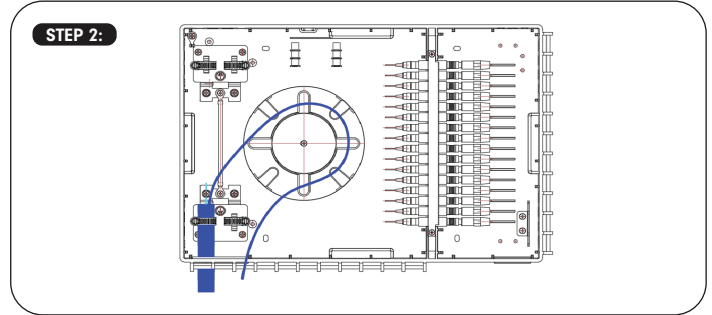
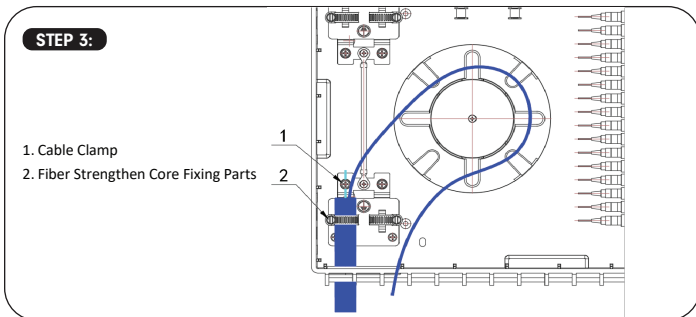


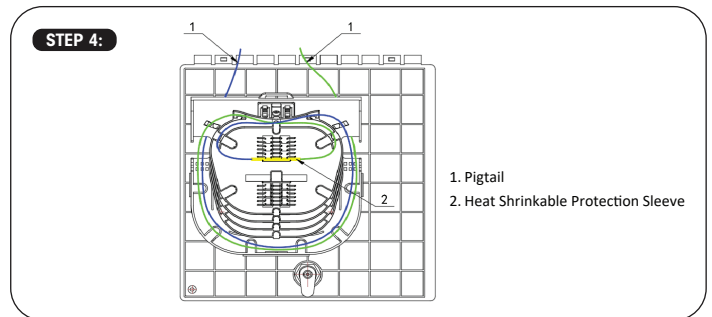
**STEP 1:**  
Open the Wall Box. Check and prepare installation tools and accessories.



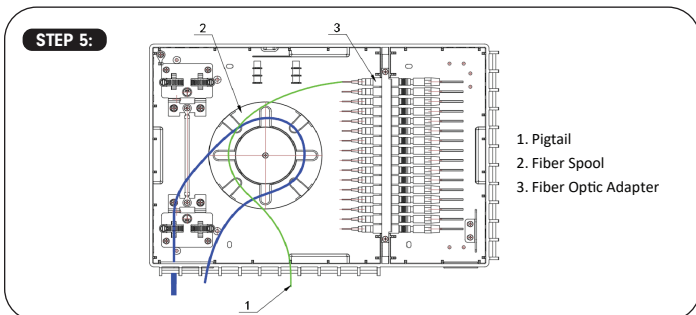
**STEP 2:**  
Strip out the fiber optic cable about 1m, put the stripped cable into the wall box.



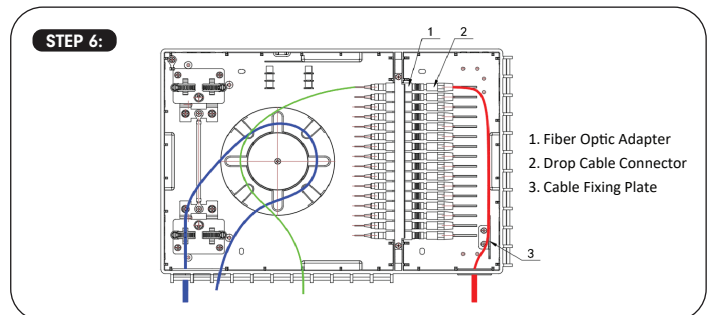
**STEP 3:**  
1. Cable Clamp  
2. Fiber Strengthen Core Fixing Parts  
Fix cable by cable clamp and fix fiber strengthen core fixing parts by screws.



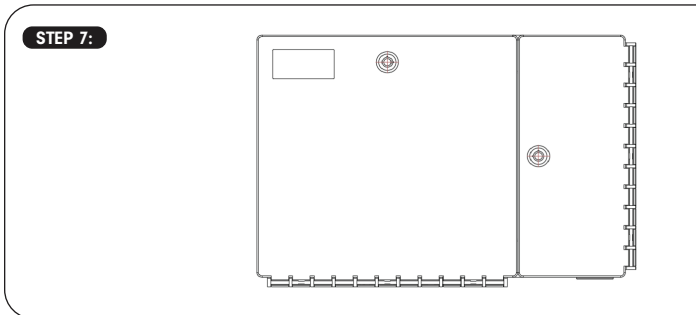
**STEP 4:**  
1. Pigtail  
2. Heat Shrinkable Protection Sleeve  
Coil the stripped fiber in splice tray, splices the fiber with pigtails, protect the connection by heat shrinkable sleeves, then fix it in splice tray slot.



**STEP 5:**  
1. Pigtail  
2. Fiber Spool  
3. Fiber Optic Adapter  
The spliced pigtails will be passed to the tray upper side and connect with adapters.



**STEP 6:**  
1. Fiber Optic Adapter  
2. Drop Cable Connector  
3. Cable Fixing Plate  
Insert the drop cable connector into the other end of the adapter, use cable tie to fix the cable on the cable fixing plate, and output through the grommet (cable exit hole).



**STEP 7:**  
Close and lock the wall box doors after finishing the basic light test.

