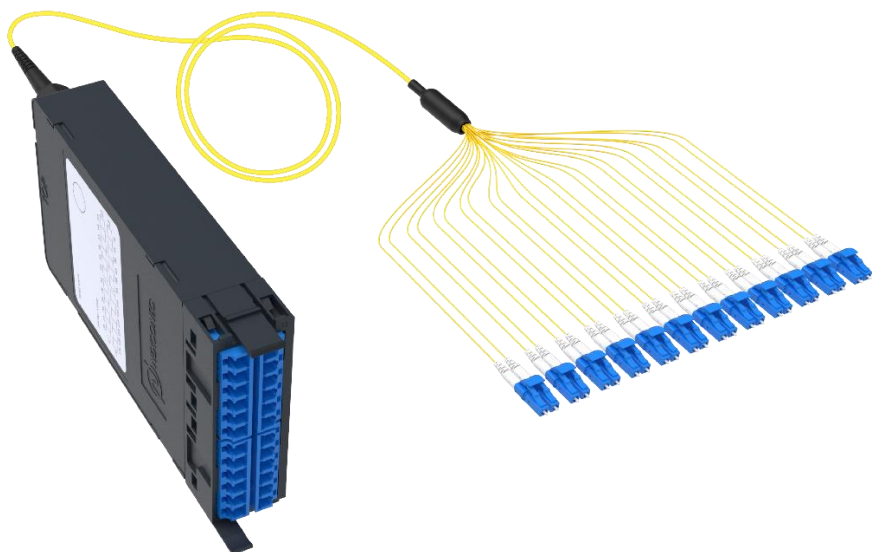


UPX PRE-TERMINATED CASSETTE - UPXPM_{xx}



Browse on Mobile

 Browse on Web

The NEXCONEC[®] UPX Pre-Terminated Cassette is a high-density, plug-and-play fiber solution designed to accelerate data center and enterprise network deployments. Factory-terminated with 24FO/12FO LC fanout and featuring customizable fanout tail lengths, it ensures low insertion loss and reliable signal integrity. Its modular design reduces installation time and labor costs, and with bend-insensitive fiber and compact compatibility, it's an ideal choice for scalable, high-performance cabling environments.

FEATURES

- ✓ Conform to IEC, EIA-TIA, and Telcordia performance requirements
- ✓ 6 Cores LC adapters
- ✓ Available in standard Single mode and Multimode fiber options
- ✓ Factory terminated 24FO/12FO LC fanout
- ✓ RoHS, REACH & SvHC compliant, Materials Conflict compliant

APPLICATIONS

- ✓ Telecommunication networks
- ✓ Data centers, Co-location DC
- ✓ LAN or Campus Wide Network
- ✓ Broadband network
- ✓ Supports SFP, QSFP, CFP applications

SPECIFICATIONS

Parameters	Value
Footprint	UPX
Dimensions (W x D x H)	87.30 x 173 x 28.90 mm
Material	PC+ABS
Housing Color	Grey Blue (RAL 5008)
Application	UPX Panels
Fiber Capacity	24FO/12FO in LC
Adapters Ports	LC Adapters (Shuttered and Non-Shuttered Ports)
Cable Entries	Rear
Max. Cable Diameter to Use	8 mm
Weight	0.25 Kg

PERFORMANCE

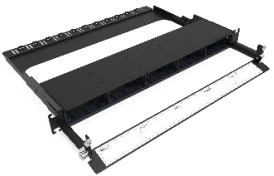
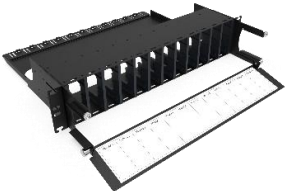
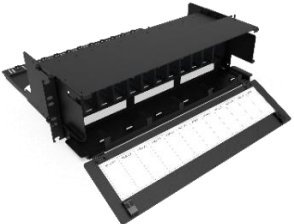
Parameters	Units	SM LC	MM LC
Avg/Max IL – Standard	dB	≤ 0.20/0.30	≤ 0.18/0.30
Return Loss (PC/APC)	dB	≥ 60/65	NA
Avg/Max IL– Premium	dB	≤ 0.12/0.15	≤ 0.12/0.15
Return Loss (PC/APC)	dB	≥ 60/65	NA

ORDER INFORMATION

Ask Sales for Order Details: sales@nexconec.com

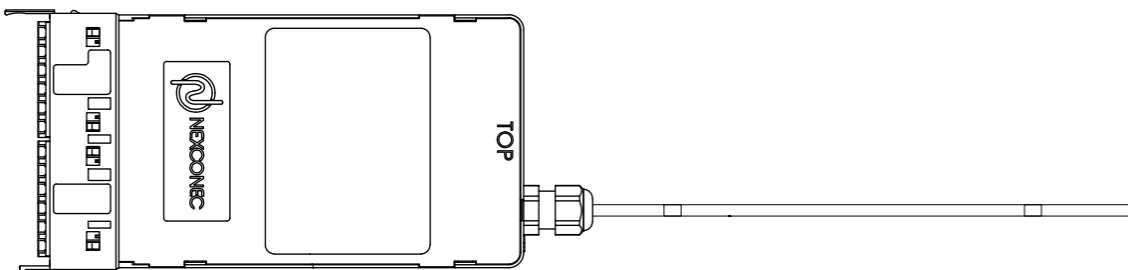
Or [Contact Us](#) by filling website contact form, one of our colleagues will get back to you shortly!

RELATED PRODUCTS AND ACCESSORIES

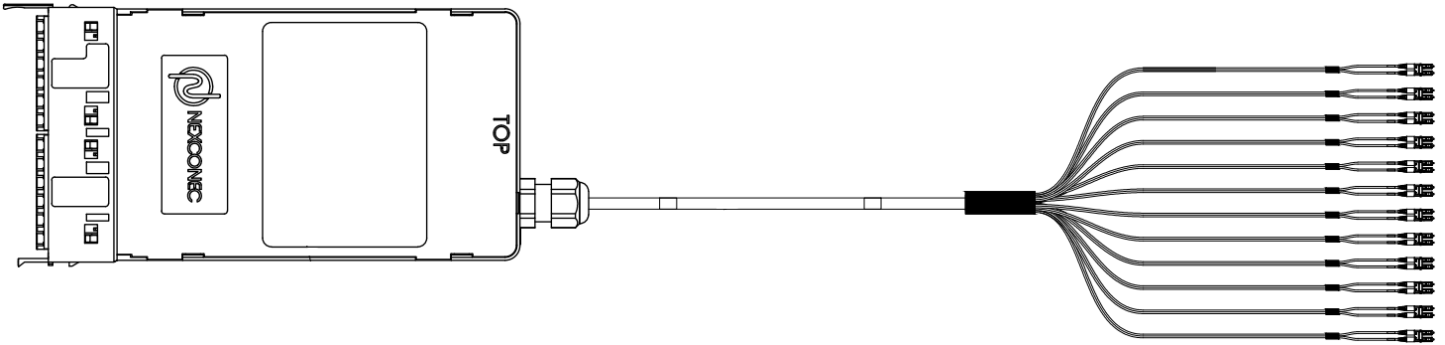
Product	Part Number	Product Description
	UPXPP01	1U 5 Slots UPX Modular Fixed Frame (Including Front Management)
	UPXPP02	2U 12 Slots UPX Modular Fixed Frame (Including Front Management)
	UPXPP03	3U 12 Slots UPX Modular Fixed Frame (Including Front Management)

TECHNICAL DRAWING

UNTERMINATED



LC 24FO



MPO (Base-12) 24FO

